

Guardex



GRD-TS651

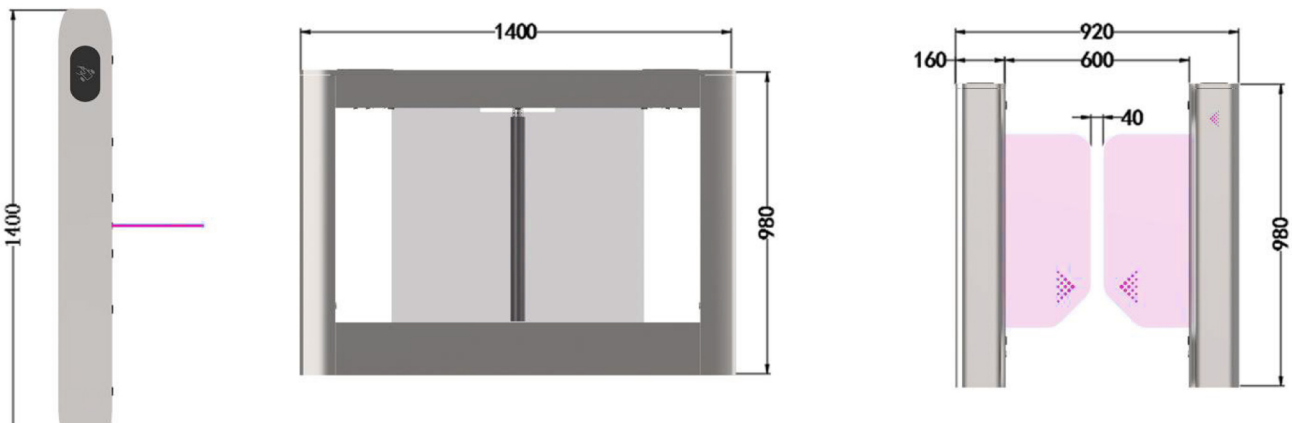
Double gate



Functions & Features

- ✦ 1. Reasonable and reliable design, low noise, smooth operation and long service life;
- ✦ 2. With function of opening doors automatically under power-off state to meet the need of fire-fighting passage;
- ✦ 3. With functions of anti-tail, anti-reverse pass and so on;

- ✦ 4. Card can be set "with memory" or "without memory" functions;
- ✦ 5. With automatic reset function, i.e. after having access to the gate, the gate automatically restores to the locked state if not pass within the time set;
- ✦ 6. With infrared anti-clip function (anti-clip when gate is open or running);
- ✦ 7. Compatible with IC, ID card, scanning and face recognition, etc.
- ✦ 8. Two modes of operation are available: open or closed.
- 9. Various working modes are available, including two-way card reading and one-way card reading, etc.



Parameters

Size (L*W*H)	1400*160*980mm
Fuselage material	Top cover 1.2mm+body 0.9mm 304 brushed plate
Diaphragm material	8mm clear acrylic
Baffle material	10mm clear acrylic
Pass width	600-900mm
Baffle interception height	820mm
Height of baffle from ground	200mm
Movement	Brushless swing brake integrated movement

Power supply	24V 150W
Input voltage	AC100V~240V,50/60HZ
Drive motor	Fengdun DC brushless 90K 30W
Pass rate	Open 50 people/min; Usually closed 35 people/min
Speed of opening and closing	Adjustable from 0.5s to 1.5s
Sensor pairs	6 pairs
Pilot lamp	Three color light panel+three color light strip
Controls	1V2 brushless simplified board+electric control box+mesh board box
Noise	≤65dB
Temperature	-20°C~+70°C
Humidity	≤90% No condensation
Class of protection	IP54
Environment	Indoor and outdoor

