

TDS19

Metal Touch keypad Access
Control Terminal



Industrial level standard 86 design

- Standard size of 86mm * 86mm, 60mm Mounting hole pitch.
- Waterproof, Anti puncture and explosion-proof
- Metal case design Card reader



Capacitance
Luminous
touch keypad



- Outdoor Application, Strong Quality Guarantee
- IP68 Waterproof standard with metal case.
- Card and password Identification



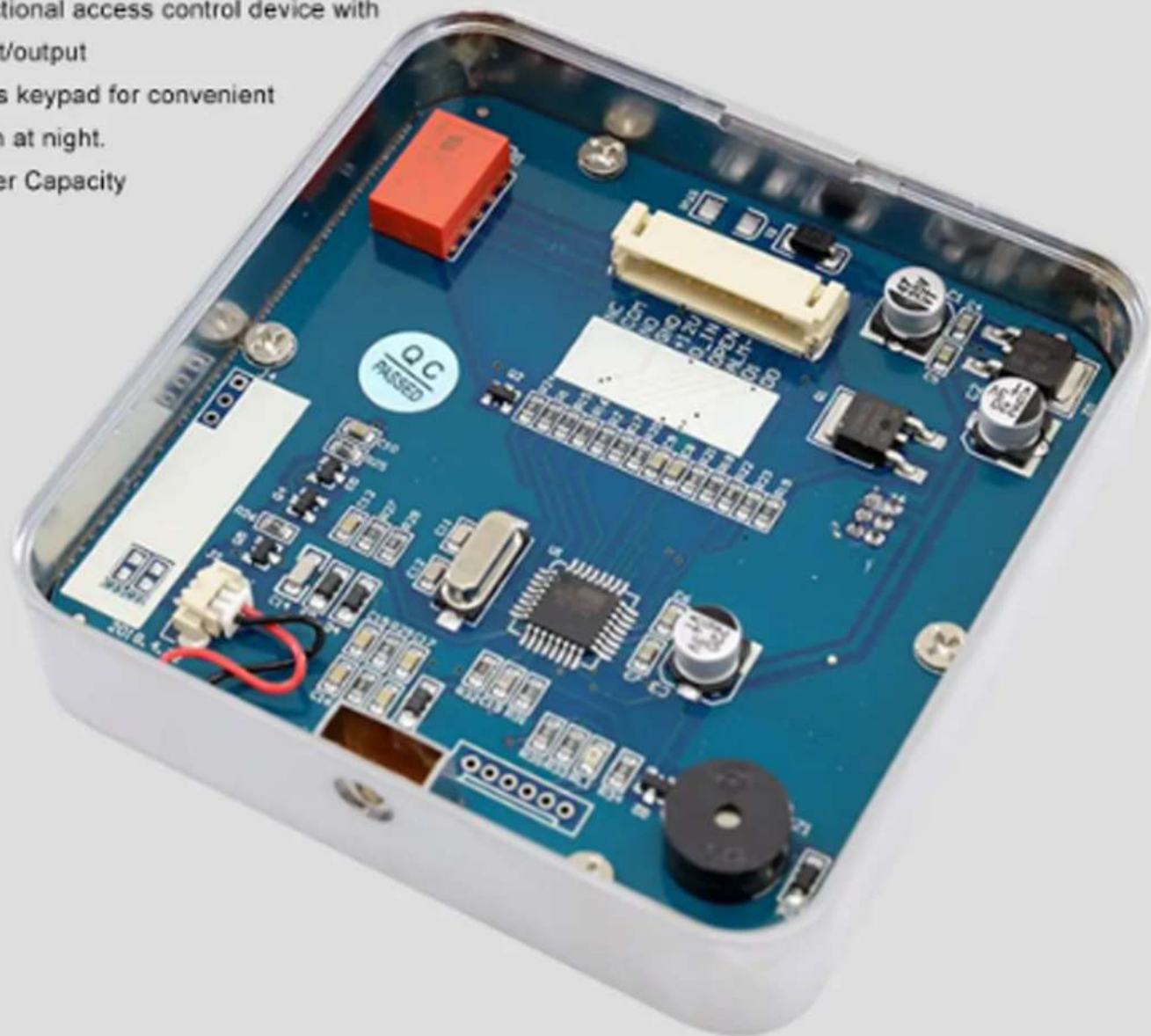
[Product Introduction]

- Low power consumption: static current less than 30mA
- Weigand output: WG26/34
- Fast Response: less than 0.1s for door relay control
- Identification Method: Card, Password(or Mixed)
- Direct Keypad operation for Password, Card registration and deletion.



TDS10 supports EM, MIFARE Card, it adopts special metal material with back-lit durable touch keypad, its internal USA Atmel micro-processor, high anti- interference, Security and reliability.

- Metal Structure, Capacitance Touch Keypad
- Multifunctional access control device with WG Input/output
- Luminous keypad for convenient operation at night.
- 2000 User Capacity

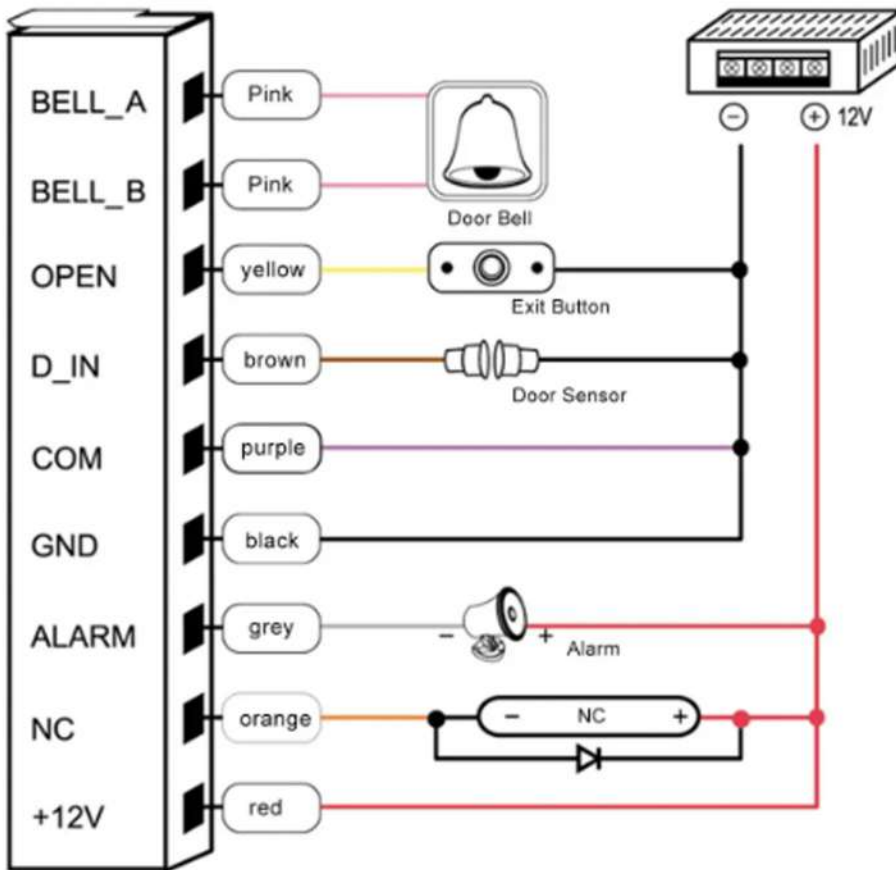


Product Features:

- Waterproof Level: IP68
- Working Voltage: DC12V-24V
- Static Current: $\leq 3\text{mA}$
- Lock output: $\leq 3\text{A}$
- Environment Humidity: 10%-90%
- Environment Temperature: $-45\text{ }^{\circ}\text{C}$ - $60\text{ }^{\circ}\text{C}$
- Card Swiping distance: 2-6cm
- User Capacity: 2000
- Door open time: 0-99s(Adjustable)
- Outer Size: 86*86*20mm



Connection Diagram:



Door Access power supply

