

# Hybrid IR Housing Camera

## High Power 4LED(70M), 1080P

### DHC-204GHD

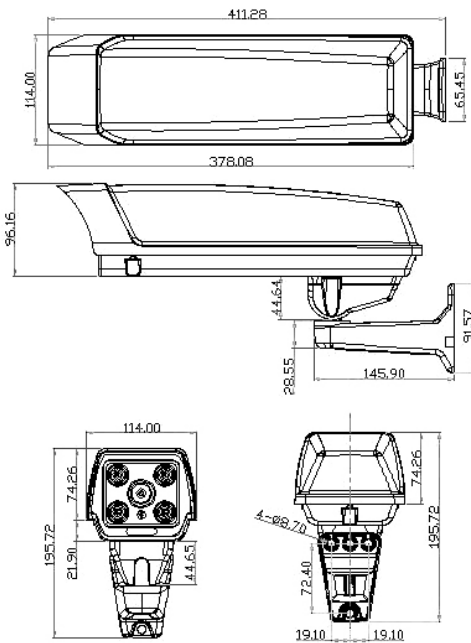
#### ◆ Picture



#### ◆ Feature

- 1/2.9" Sony PS-CMOS Exmor CMOS+DSP(Next Chip)
- 2.2Megapixel (1080p) Display with AHD/TVI/CVI format
- Low up to 0.003Lux with Sens-up (30x), LED On: 0Lux
- Day/Night with ICR
- 3DNR, Defog, UTCOSD, Motion Detection (4), Privacy Masking (4),
- DWDR, HSBLC, Live Defect Detection & Correction
- Max. Transmission Distance (500m) via Coaxial Cable (RG59)
- Multi Languages (English/Chinese/Germany/French/Italian/Spanish/Polish/Russian/Portuguese/Netherlands/Turkish)
- 2.8~12mm Manual Lens
- Built-In High Power IR 4 EA (Visible Distance: 70M)
- Indoor/Outdoor Type (Weather Proof), Concealed bracket
- Option: 5~50mm Lens

#### ◆ Dimensions



Unit: mm

#### ◆ Specifications

MODEL	DHC-204GHD
<b>Video</b>	
Image Sensor	1/2.9" 2.2Mega(1080p) PS-Sony CMOS
Scan mode	Progressive Scan
Signal System	NTSC/PAL
Total number of pixels	2001(H) x 1121(V)
Number of effective pixels	1985(H) x 1105 (V)
Resolution	1080p
Minimum illumination	0.003Lux(Sens-up 30x), LED On:0Lux
Video Output	AHD/TVI/CVI/CVBS(1280H) Selectable
S/N Ratio	More than 50dB (AGC Off)
<b>Lens</b>	
Lens	2.8 ~ 12mm MP Varifocal Lens H:97.5°(W)-31.1°(T),V:54.4°(W)-17.6°(T),D:115.6°(W)-35.7°(T)
Iris	Electric Iris
<b>Function</b>	
Day & Night	Auto / Color / BW / EXT
White Balance	ATW/AWC-set/INDOOR/OUTDOOR/Manual
AGC	1 -15
DNR	Off / Low / Middle / High
Mirror / Flip	Off / On
Privacy Zone / Motion	4 Zones / 4 Zones
Brightness	Level (1~100)
Shutter	Auto/Manual(1/30/25~1/50000)
Back light	HSBLC/D-WDR/BLC
Defog	On/Off
<b>IR LED</b>	
LEDs	High Power 4 LEDs (850nm)
Visible Distance	70m
<b>Environment</b>	
Operating Humidity	30 % ~ 90 % RH
Operating Temp.	-30°C~60°C(-22°F~140°F)
<b>Electrical</b>	
Power Consumption	Max 18 W
Sync. System	Internal
Power Supply	DC12V±10
<b>Mechanical</b>	
Construction	Aluminum body
Dimension	114mm(W) X 96.18mm(H) X 378.08(L)mm
Weight	About 1.5Kg