

IP IR Dome Camera

H.264, 2M, 30IR

DMC-2030PVZW

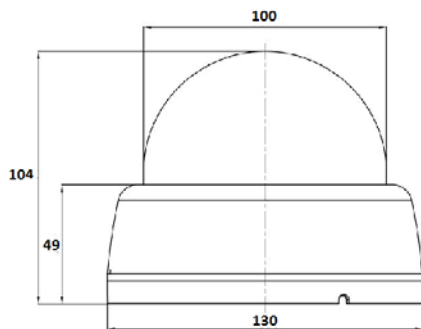
◆ Picture



◆ Feature

- 1/2.9" Sony 2.12M Pixels Exmor CMOS
- High Performance Dual Streaming (30fps live view@1080P)
- Low up to 0.01Lux, Noise Reduction (2D/3D), Day/Night with ICR
- 2.8~12mm Mega Pixel DC Auto Iris Lens
- Motion Detection (4), Privacy Masking (8), Digital Zoom (16x)
- Defog, DWDR, HLC, LDC, Audio (1/1), Alarm (1/1), SD Card Slot, Corridor
- Visible Distance 30m with 30IR LEDs
- ONVIF, DDNS, DHCP, CMS, Web Browser, Smart Phone
- Ceiling Mount, Indoor Type
- Option: POE, 2 Motors (Motorized Zoom & Focus, 2.8~12mm)

◆ Specifications



Unit: mm

◆ Dimensions

MODEL	DMC-2030PVZW
Video	
Image Sensor	1/2.9" 2.12M Sony Exmor CMOS
Scan mode	Progressive Scan
Number of effective pixels	1984(H) x 1225 (V), 2.43M
Minimum illumination	Color:0.1Lux, 0.01Lux with Sens-Up(10x)/F1.2, 50IRE, LED On:0Lux
Day & Night	Day & Night with ICR (TDN)
S/N Ratio	More than 54dB (AGC Off)
Lens	
Lens	2.8 ~ 12mm MP Varifocal Lens H:97.5°(W)-31.1°(T),V:54.4°(W)-17.6°(T),D:115.6°(W)-35.7°(T)
Iris	DC Auto Iris
Network	
Video Compression	H.264, MJPEG
H.264 Profile	Baseline/Main/High Profile
Ethernet	RJ-45(10/100BASE-T)
Frame Rate	1920x1080(Full-HD), 1280x1024(SXGA), 1280x720(HD), 704x480(4CIF/NT), 704x576(4CIF/PAL), 640x480(VGA), 352x288(CIF), 320x240(QVGA)
Video Frame Rate	Up to 30fps@1920x1080p
Bitrate Control	CBR or VBR(100K~12Mbps)
Audio	Audio In(1), Audio Out(1), 8 bit PCM (G711 u-law) 8KHz, Mono
Client Viewer	Web viewer, Max-i CMS
Max. User Connection	10 Users
Network Protocol	TCP/IP, UDP, IPv4/v6, HTTP, HTTPS, FTP, UPnP, RTP, RTSP, RTCP, DHCP, ARP, Zeroconf, PPPoE, Onvif
Function	
Auto White Balance Mode	ATW-Indoor/Outdoor, Shade, Clear sky, Fluorescent light, Light bulb, Flame, Manual
Auto Exposure Mode	Automatic (Priority: Frame rate/Low noise), Manual
Gain Control	Automatic, Manual: Min. 1.2dB ~ Max. 54dB, Default 1.2dB
DNR	Off / Level Setting
Back Light	HLC, BLC, DWDR(ATR-EX)
Defog/LDC/Mirror/Flip	On/ Off
Privacy / Motion	8 Zones / 4 Zone
Alarm	1in/ 1out
IR	30IR LEDs(30m), Smart IR
Environment	
Operating Humidity	30 % ~ 90 % RH
Operating Temp.	- 10°C to 60°(-14°~ 140°F)
Electrical	
Power Consumption	Max 7W
Power Supply	DC12V±10,
Mechanical	
Construction	Plastic Body, PC bubble
Dimension	130(W)X104(H)mm
Weight	About 0.6Kg