

Hybrid IR Dome Camera

1080P,24 IR

DHC-2024PVMHD

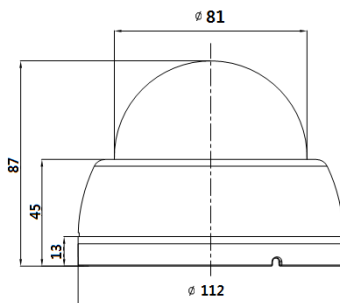
◆ Picture



◆ Feature

- 1/2.9" Sony PS-CMOS Exmor CMOS+DSP(Next Chip)
- 2.2Megapixel (1080p) Display with AHD/TVI/CVI format
- Low up to 0.003Lux with Sens-up (30x), LED On: 0Lux
- Day/Night with ICR
- 3DNR, Defog, UTCOSD, Motion Detection (4), Privacy Masking (4),
- DWDR, HSBLC, Live Defect Detection & Correction
- Max. Transmission Distance (500m) via Coaxial Cable (RG59)
- Multi Languages (English/Chinese/Germany/French/Italian/Spanish/ Polish/Russian/Portuguese/Netherlands/Turkish)
- 2.8~12mm Manual Lens
- 3Axis Rotation, Indoor Type
- Option: Dual Voltage (DC12V/AC24V)

◆ Dimensions



Unit: mm

◆ Specifications

MODEL	DHC-2024PVMHD
Video	
Image Sensor	1/2.9" 2.2Mega(1080p) PS-Sony CMOS
Scan mode	Progressive Scan
Signal System	NTSC/PAL
Total number of pixels	2001(H) x 1121(V)
Number of effective pixels	1985(H) x 1105 (V)
Resolution	1080p
Minimum illumination	0.003Lux(Sens-up 30x), LED On:0Lux
Video Output	AHD/TVI/CVI/CVBS(1280H) Selectable
S/N Ratio	More than 50dB (AGC Off)
Lens	
Lens	2.8-12mm Lens
Iris	Electric Iris
Function	
Day & Night	Auto / Color / BW / EXT
White Balance	ATW/AWC-set/INDOOR/OUTDOOR/Manual
AGC	1 -15
DNR	Off / Low / Middle / High
Mirror / Flip	Off / On
Privacy Zone / Motion	4 Zones / 4 Zones
Brightness	Level (1~100)
Shutter	Auto/Manual(1/30/25~1/50000)
Back light	HSBLC/D-WDR/BLC
Defog	On/Off
IR LED	
LEDs	24 LEDs (850nm)
Visible Distance	15m
Environment	
Operating Humidity	30 % ~ 90 % RH
Operating Temp.	- 10°C to 50°(14°Fto122°F)
Electrical	
Power Consumption	Max 5.4W
Sync. System	Internal
Power Supply	DC12V±10%,
Mechanical	
Construction	Plastic body ,PC bubble
Dimension	87mm(H) X 81Ø
Weight	About 0.35Kg