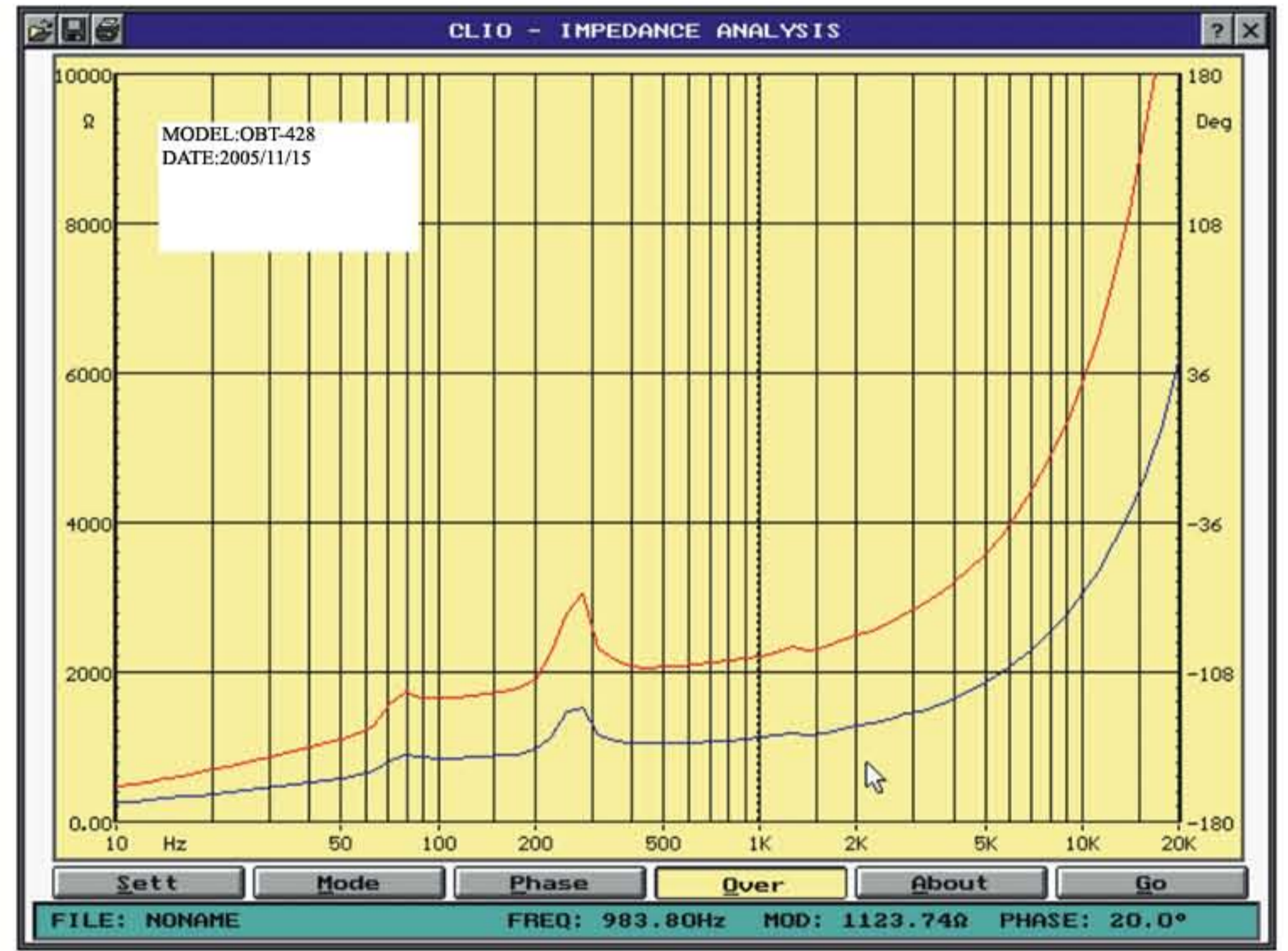
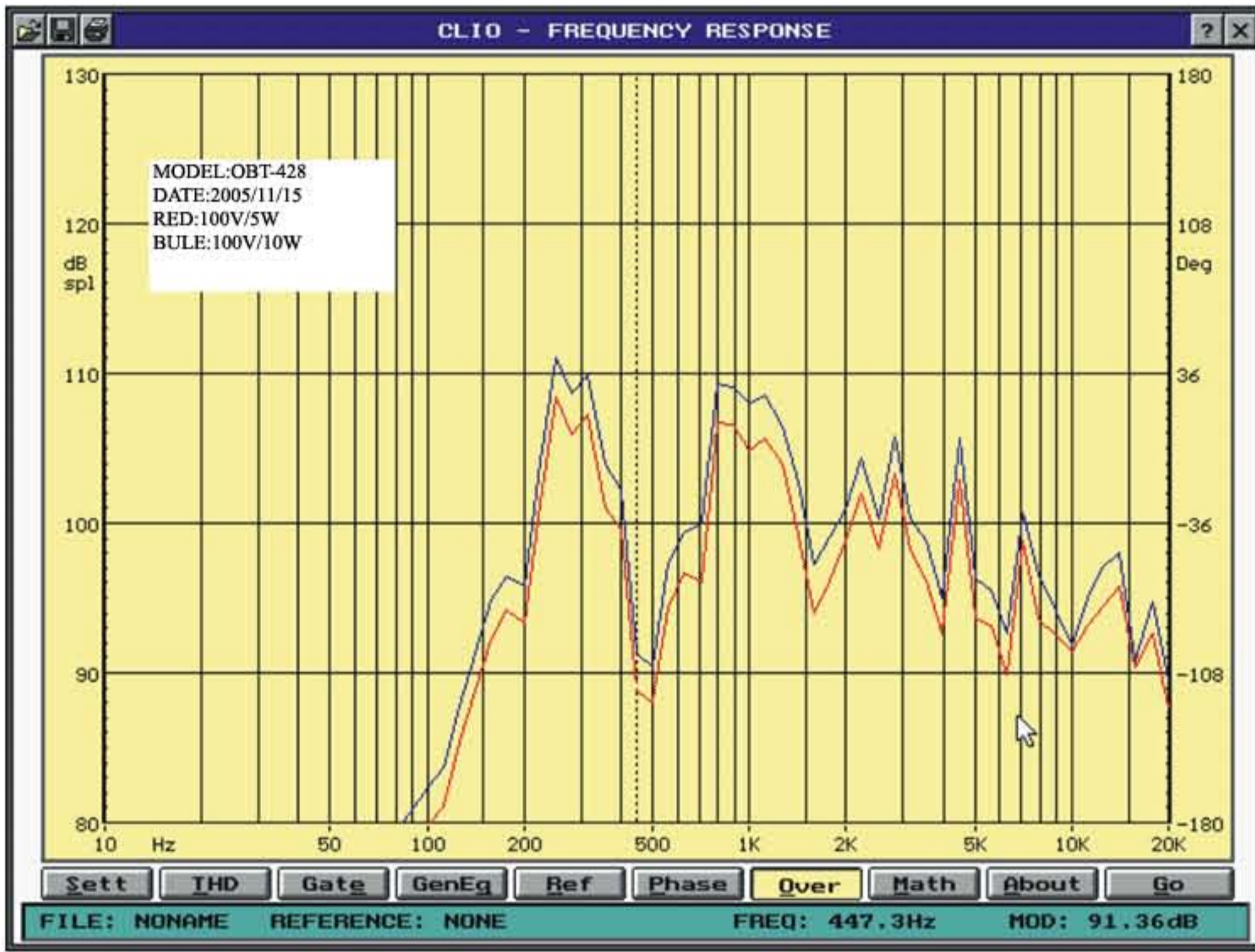
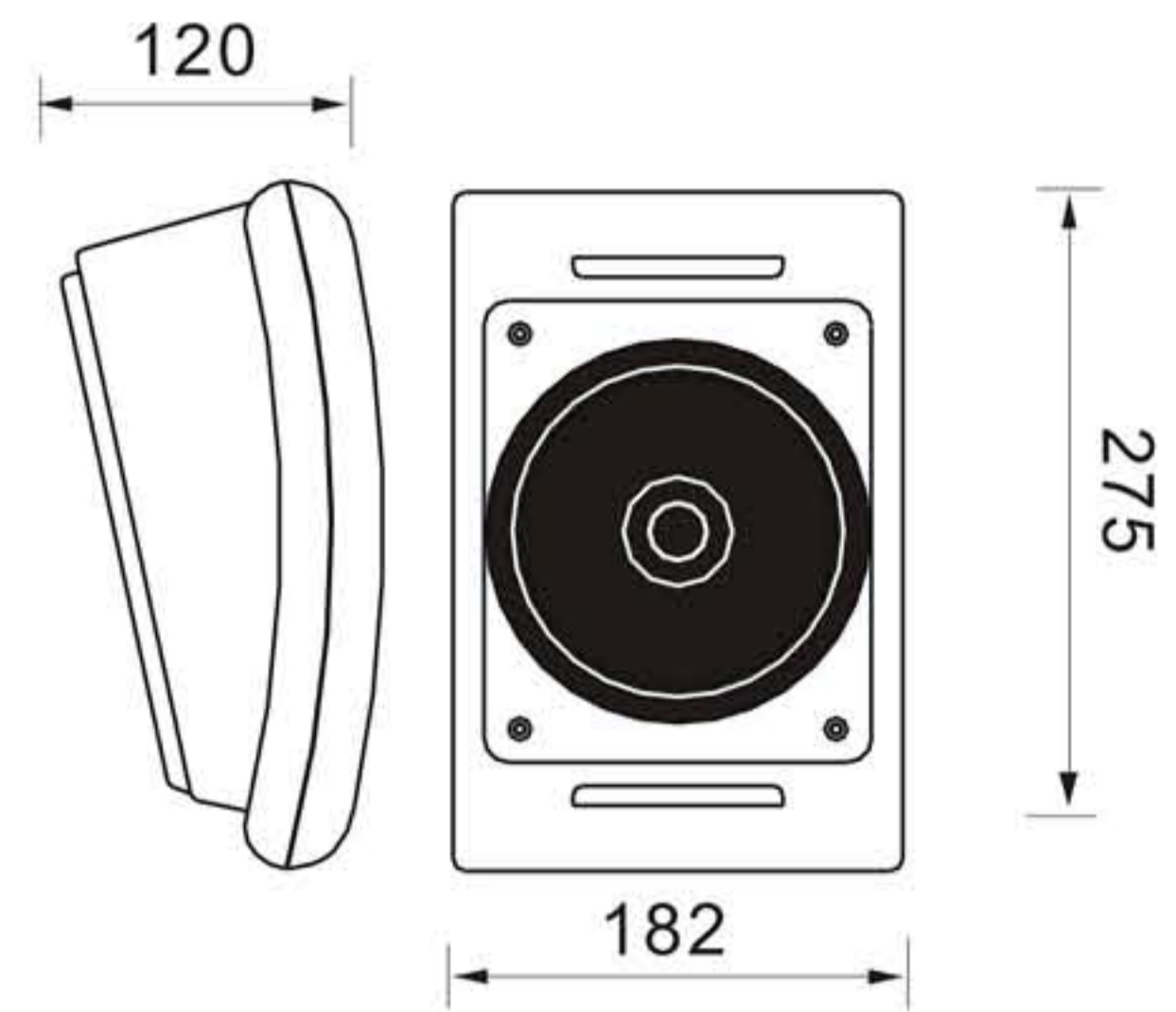


OBT-428 Specification


General Specification	
Type	OBT-428
S.P.L	92dB at 100V 5W
Frequency Response	150-15K HZ
Sensitivity	92±3dB
Power Handling	10W
Power taps	5W/10W
Line input	100V
Dimension(L*W*H)	275*182*120
Physical Specification	
Material	ABS
Component	6.5"
Grill	Power coated Iron Mesh
Finished Colour	White
Unit Weight	1.35K g
Gross Weight	kg/pcs
Packing Dimension	
Speaker Specification	
Voice Coil Size	0.12*2layer
DC Impedance	7.2 Ω
Former	Paper
Magnet	Ferrite(153g) φ 70*32*10 (Y25)
Basket	Iron
Cone Material	Paper
Spider	Cloth
Dust cap	Paper Cup
Net Weight	480g



Horizontal:

Vertical:

